

AVAYA

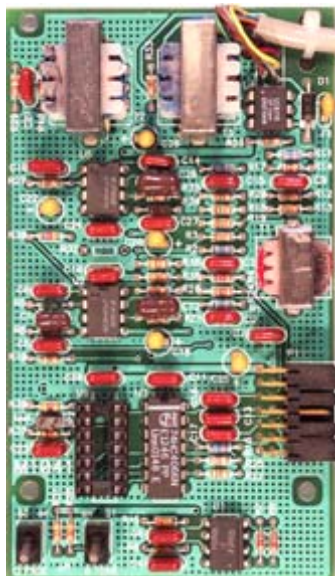
M1041

INTERNAL RADIO & RECORDER INTERFACE

USERS GUIDE

COMCODE: 700 171 291

PEC CODE: 8806-008



Description

The M1041 is mounted inside the base of a 4424 set. It provides a 4 wire analog interface between a 4424 set and a radio console that is equipped with a telephone interface. The 4-wire radio interface is active only when the set is used with a headset. A cable with an 8-pin plug has been added to the set to connect the set to the radio.

The M1041 provides record audio with handset, speakerphone and radio interface use. Beep tone notification can be activated by an option switch.

Operation

The M1041 works with the headset feature. The bottom right button on the 4424 set must be programmed for the “autodial inside” feature. This provides a busy indication when the set is in use. When the LED associated with this button is illuminated, and the handset and speakerphone are not in use, the M1041 activates audio transmission on the radio plug. It provides a short as an off-hook indication, and also provides beep tone and record audio. Program 2 other unused feature buttons for headset hang-up and headset status. Headset hang up requires centralized programming.

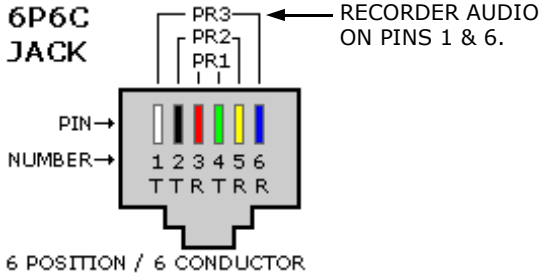
When the handset or speakerphone is used, the M1041 provides beep tone and record audio only.

Connections

Recorder audio

The set uses a 6-pin RJ-25 type line jack. Recorder audio is transformer coupled to pair 3 of the jack.

LINE JACK ON SET:



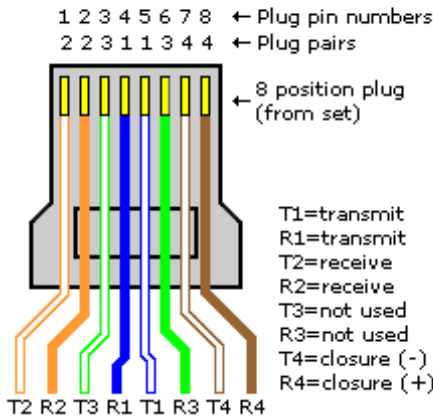
Radio interface

Radio plug connections:

- Pair 1 = 600 ohm transmit audio (input).
- Pair 2 = 600 ohm receive audio (output).
- Pair 3 = not used.
- Pair 4 = off-hook closure (output) Pin 7=- ; 8=+.

RADIO PLUG:

**8 POSITION 8 CONDUCTOR PLUG
568B WIRING**



Beep Tone

The beep tone generator produces a 200ms 1400hz tone every 15 seconds. The tone is audible to both parties. Turn the tone on or off with the beep tone switch located beside the group page switch on the

bottom of the set.

Move the switch down to turn the tone off. Move the switch up to enable the beep tone.

Group page

The “group page” option switch should be turned on if group paging is used. This causes the M1041 to ignore the speakerphone to prevent interruptions during a call. Speakerphone calls will not be recorded if the “group page” option is turned on.

Move the switch down to turn group page off. Moving the switch up enables the group page.

Limitations

During speakerphone use, the radio plug interface becomes unusable. Record audio and optional beep tone are still provided for the speakerphone.

ITEMS INCLUDED:

1ea. MA21 cable: 14 ft length. 6 conductor, RJ-25 modular plug on each end. This cable replaces the standard issue 2 conductor cable (D2R).



Starcom Incorporated

3303 North Dixie Highway
Boca Raton, FL. 33431