



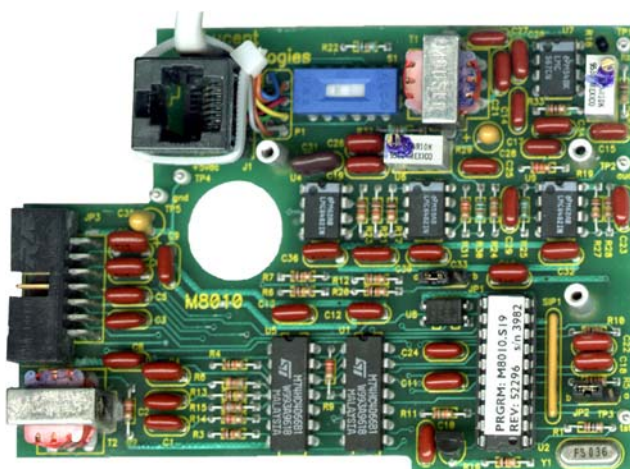
M8010

INTERNAL RECORDER INTERFACE MODULE

USERS GUIDE

COMCODE: 407 592 872

PEC CODE: 8800-041



Description

The M8010 Recorder Interface Module provides audio of both sides of a conversation for recording purposes. The module mounts in the base of an 8410 or 8434 voice terminal. It must be factory installed. The M8010 provides record audio when using:

- 1 The handset.
- 2 The set's speakerphone.
- 3 Devices connected to the set's "AUX" jack.

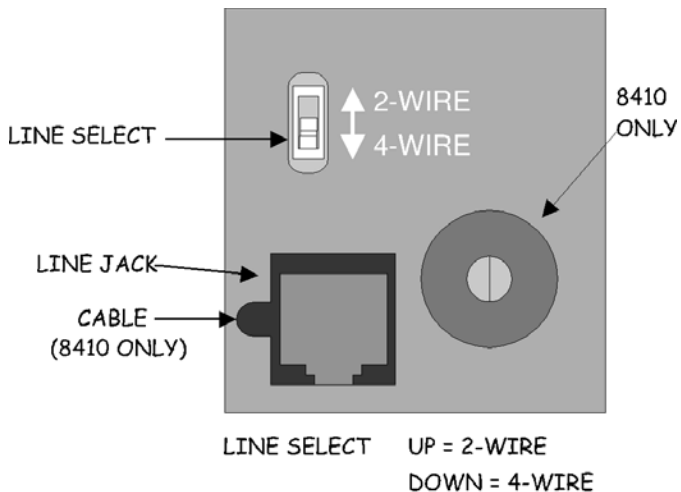
The 3 audio connections have a defined hierarchy. The lowest is the handset. The highest is the aux device.

Options

Line Switch

The M8010 connects between the voice terminal and the line cord from the PBX. This allows the recorder audio to use existing spare conductors in the line cord. The switch connects the recorder audio to pair 1 on a 4-wire voice terminal, and pair 2 on a 2-wire voice terminal.

☞ *It is important to set this option before plugging the line cord into the voice terminal.*



The following tables show the new line jack connections. Set the line switch for 2 or 4 wire and use one of the following tables.

2 WIRE PORT CIRCUIT PACK CONNECTIONS				
DESIGNATION	VOICE TERMINAL NEW LINE JACK #	TYPICAL 103 OR 104 BLOCK #	DEFINITY STATION WIRING CODE	PAIR
Analog audio output for recorder (T)	1	3	white/orange	2
Analog audio output for recorder (R)	2	4	orange/white	2
—	3	5	white/green	3
Ring (R)	4	2	blue/white	1
Tip (T)	5	1	white/blue	1
—	6	6	green/white	3
-48vdc	7	7	white/brown	4
GRD	8	8	brown/white	4

4 WIRE PORT CIRCUIT PACK CONNECTIONS				
DESIGNATION	VOICE TERMINAL NEW LINE JACK #	TYPICAL 103 OR 104 BLOCK #	DEFINITY STATION WIRING CODE	PAIR
Terminal transmit tip (TXT)	1	3	white/orange	2
Terminal transmit ring (TXR)	2	4	orange/white	2
Private branch ex- change transmit tip (PXT)	3	5	white/green	3
Analog audio output for recorder (R)	4	2	blue/white	1
Analog audio output for recorder (T)	5	1	white/blue	1
Private branch ex- change transmit ring (PXR)	6	6	green/white	3
-48vdc	7	7	white/brown	4
GRD	8	8	brown/white	4

Specifications

SIZE 4.18"L x 2.93"W x 0.507"H

WEIGHT 2.2oz

OPERATING VOLTAGE 5vdc

POWER CONSUMPTION: 9mA

AUDIO OUTPUT:

VOICE -0dB (+-1dB)

BEEP TONE 1400Hz; 200ms burst; 15 sec. interval

Specifications subject to change without notice.

Internal connections

A 14-conductor ribbon cable plugs into a header on the M8010 and connects to the voice terminal main printed wiring board. The connections are:

VOICE TERMINAL CONNECTIONS					
1	GRD	Ground	8	HR	Handset receive audio
2	HT	Handset transmit	9	AX	Aux logic
3	HS	Handset logic	10	SR	Speakerphone audio
4	ST	Speakerphone transmit	11	nc	
5	SP	Speakerphone logic	12	AR	Aux audio
6	AT	Aux transmit	13	nc	
7	SPC	Speakerphone multiplex logic	14		+5vdc

☞ *Both JP1 and JP2 are factory set and are only accessible from inside the voice terminal.*

JP1

- 1 Position "A" is used for 8410 voice terminals.
- 2 Position "B" is used for 8434 voice terminals.

JP2

The M8010 has 2 available beep tone options:

☞ *Position "B" is the factory default setting.*

- 1 Position "A" causes the module to generate a beep tone every 15 seconds.
- 2 Position "B" causes the module to generate a beep tone when it detects a beep tone being generated by the recorder.



Starcom Incorporated

3303 North Dixie Highway
Boca Raton, FL. 33431

phone: (561) 392-7001 ★ fax: (561) 392-7003 ★ email: info@starcom-inc.com ★ internet: www.starcom-inc.com