



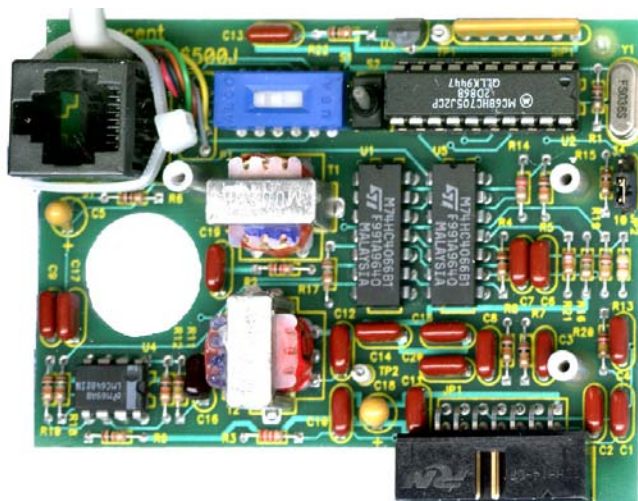
MI6500

INTERNAL RECORDER INTERFACE MODULE

USERS GUIDE

COMCODE: 407 397 215

PEC CODE: 8807-012



Description

The MI6500 Recorder Interface Module provides an analog audio output of conversations for recording purposes. The module mounts in the base of an 8410 or 8434 voice terminal. It must be factory installed.

Features

The MI6500 interface features:

- 1 Recording audio when using the handset, a speakerphone, or devices connected to the sets aux jack.
- 2 Beep tone of 1400 hertz at 15 second intervals.

Connections

A 12-conductor ribbon wire plugs into a header on the MI6500 and connects to the voice terminal main printed wiring board. The connections are as follows:

Handset, aux, speakerphone wires for beep tone generation.

Handset, aux, speakerphone wires for recorder audio.

5vdc and ground for the 8ma of power required.

A new modular line jack replaces the original line jack on the set. The new jack retains all the same connectivity as the original jack, plus it provides an analog audio output for recording. Note the MI6500 plugs into the original line jack. Refer to the tables provided for pin assignments.

2-wire configuration

DESIGNATION	PIN # ON NEW MODULAR LINE JACK	TYPICAL 103 OR 104 BLOCK #	DEFINITY STATION WIRING CODE	PAIR
Analog audio output for recorder (T)	1	3	white/orange	2
Analog audio output for recorder (R)	2	4	orange/white	2
—	3	5	white/green	3
Ring (R)	4	2	blue/white	1
Tip (T)	5	1	white/blue	1
—	6	6	green/white	3
-48vdc	7	7	white/brown	4
GRD	8	8	brown/white	4

4-wire configuration

DESIGNATION	PIN # ON NEW MODULAR LINE JACK	TYPICAL 103 OR 104 BLOCK #	DEFINITY STATION WIRING CODE	PAIR
Terminal transmit tip (TXT)	1	3	white/orange	2
Terminal transmit ring (TXR)	2	4	orange/white	2
Private branch exchange transmit tip (PXT)	3	5	white/green	3
Analog audio output for recorder (R)	4	2	blue/white	1
Analog audio output for recorder (T)	5	1	white/blue	1
Private branch exchange transmit ring (PXR)	6	6	green/white	3
-48vdc	7	7	white/brown	4
GRD	8	8	brown/white	4

Options

Two switches control how the interface functions. Refer to the diagrams included.

Line Switch

The MI6500 connects between the voice terminal and the PBX, allowing the recorder audio to use existing spare conductors in the line cord. Pair 1 is the recorder audio on a 4-wire circuit pack. Pair 2 is the recorder audio on a 2-wire circuit pack. Determine which circuit pack you are connecting to and set the line select switch to match it. ***It is important to set this option before the voice terminal is plugged into the line cord.***

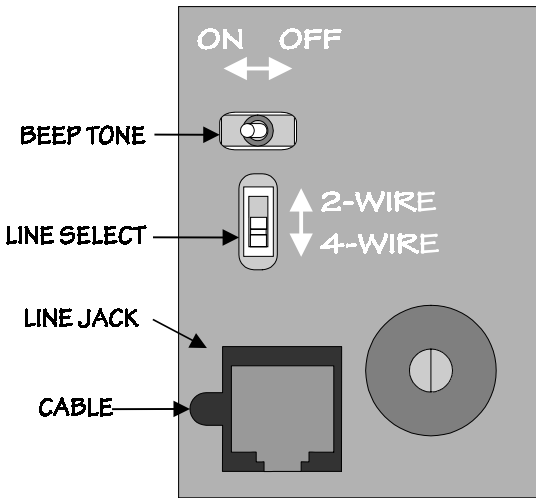
Beep tone

The toggle switch is set on to enable or disable the beep tone generator.

Specifications

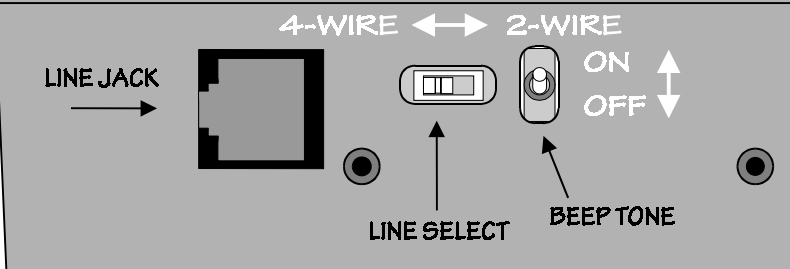
SIZE 3.3"L x 2.5"W x 0.9"H
WEIGHT 3.5oz
OPERATING VOLTAGE 5VDC
POWER CONSUMPTION: 8mA
AUDIO OUTPUT -0dB (+-1dB)
BEEP TONE 1400Hz; 200ms burst; 15 sec. interval

8410 Bottom View



TOGGLE SW: ON = BEEP * LINE SELECT: UP = 2-WIRE
OFF = NO BEEP DOWN = 4-WIRE *
* SETTINGS ARE FACTORY DEFAULT.

8434 Rear View



TOGGLE SW: ON = BEEP * LINE SELECT: RIGHT = 2-WIRE
OFF = NO BEEP LEFT = 4-WIRE *
* SETTINGS ARE FACTORY DEFAULT.

Specifications subject to change without notice.



Starcom Incorporated

3303 North Dixie Highway
Boca Raton, FL. 33431

phone: (561) 392-7001 ★ fax: (561) 392-7003 ★ email: info@starcom-inc.com ★ internet: www.starcom-inc.com