

AVAYA

SPS325

POWERED SPEAKER

USERS GUIDE

COMCODE: 408 351 351

PEC CODE: 8800-105

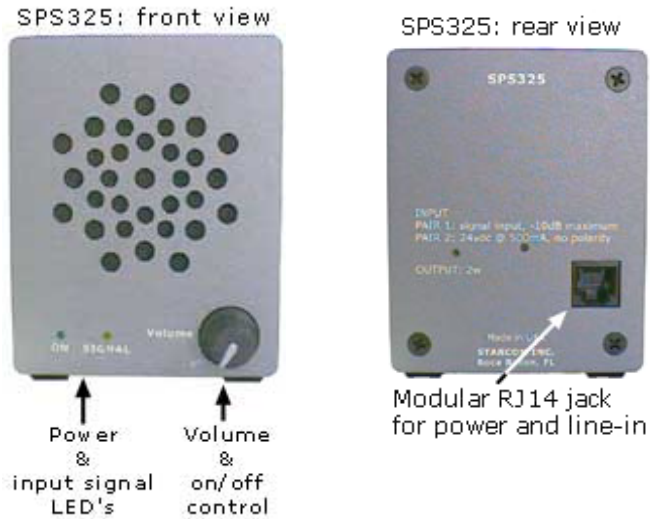


Description

The SPS235 is a general purpose amplifier intended for use with telecommunication equipment. It can bridge a telephone tip and ring line. Its input includes direct current blocking and is ring tolerant.

Indicators

Two LED's are located on the front of the SPS325. The **ON** LED indicates the presence of 24vdc power. The **SIGNAL** LED indicates the presence of audio.



Installation

Power and signal are connected through an RJ14 modular jack on the back of the SPS325. A modular cord, power cord, jack block, and power supply are included with the SPS325. Refer to the wiring illustration on the next page.

Wiring

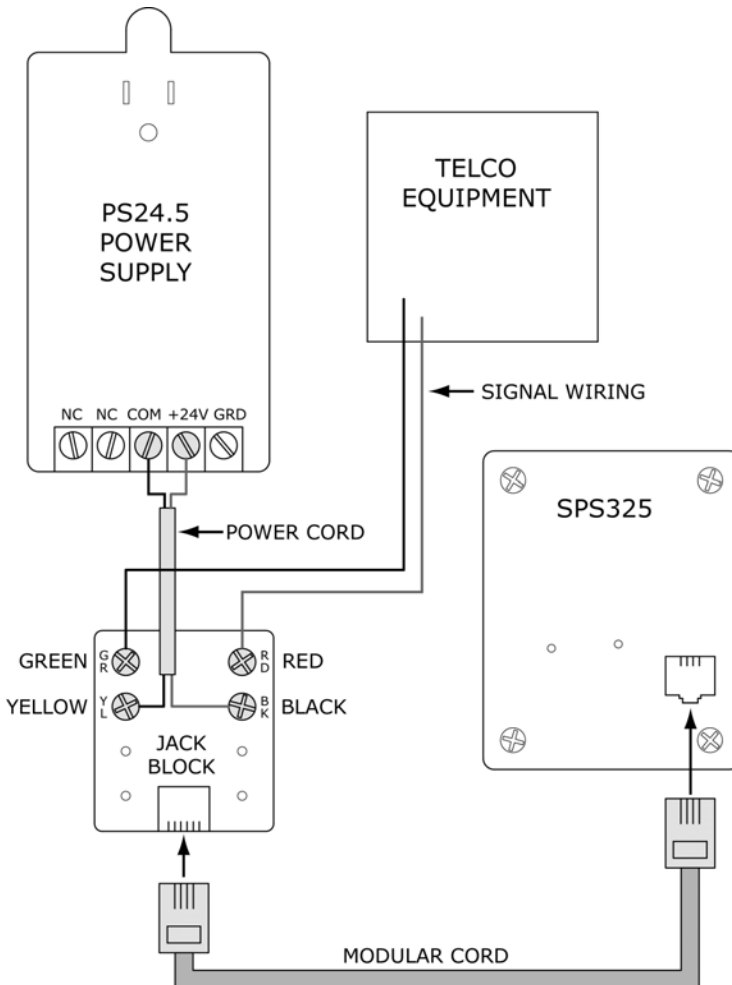
Connect the power cord to the terminals marked **COM** and **+24V** on the power supply. Connect the other end of the power cord to pair 2 (marked YL and BK) on the jack block. The polarity does not matter.

Connect your input signal wire to pair 1 (marked GR and RD) on the jack block.

Connect one end of the modular cord to the jack block, and the other end to the jack on the SPS325.

Operating

Plug the power supply into a 120v 60hz wall outlet. Rotate the volume control clockwise to turn on the power. The green **ON** LED will illuminate. The yellow **SIGNAL** LED will illuminate and follow the strength of the audio signal if one is present. Continue rotating the volume control clockwise to increase the output level.



Specifications

GENERAL

Dimensions (not including knob):.....
.....2 7/8"W x 3 1/2"H x 2 3/4"D

Weight.....1lb, 1oz

Controls:

Soft touch volume control with on/off switch, LED indicators for power(on) and signal input.

ELECTRICAL

Operating requirements:

Voltage.....24vdc

Power consumption:

Idle current.....30ma

With maximum audio output.....500ma

Input/Output:

Output power.....2 watts

Input sensitivity..-20db for maximum output at full volume

Input insertion loss.....0.1db

Signal LED activation.....any signal greater than -50db

CONNECTOR

RJ14 modular jack:

Audio input.....pair 1, center 2 conductors

Power input.....pair 2, outer 2 conductors

PARTS INCLUDED WITH THE SPS325:

1ea. PS24.5 power supply: wall plug style, regulated 24vdc 1/2 amp output. 120vac, 60hz, 0.28a input.

1ea. MA21 cable - 14ft length. Modular plug on each end.

1ea. Power cord - 6ft length. 2 conductor wire to stripped ends.

1ea. Jack block: Surface mount 6-position 4-conductor modular jack to 4 screw terminals.



Starcom Incorporated

3303 North Dixie Highway
Boca Raton, FL. 33431

phone: (561) 392-7001 ★ fax: (561) 392-7003 ★ email: info@starcom-inc.com ★ internet: www.starcom-inc.com