

AVAYA

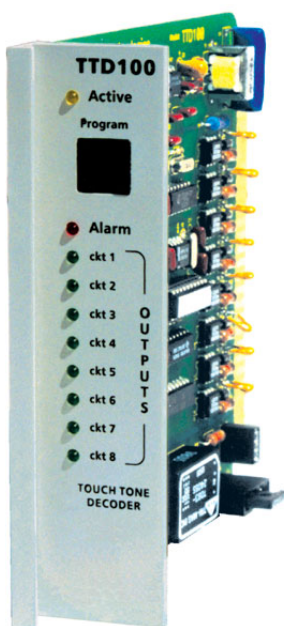
TTD100

TOUCH TONE DECODER

USERS GUIDE

COMCODE: 407 741 867

PEC CODE: 8809-030



General

The TTD-100 card is used to decode stored touch tone numbers. It stores from 1 to 8 numbers. Each number consists of 1 to 16 digits. After receipt of a stored number, the associated circuit output will provide a solid state closure to operate an external device such as a lamp or relay. The duration of the closure is selected from .1 to 9.9 seconds, or it remains closed for the duration of the last touch tone digit.

Programming

Numbers and variables are stored using a basic touch tone phone plugged into the program RJ11 jack.

Storing a number

To store a number, enter “****” followed by the ckt number 1 thru 8, followed by 1 to 16 digits. 5 seconds after the last entry, the number is stored in memory and the active indicator flutters. Numbers can include “*” and “#” and autovon digits.

Delete a number

To delete a number enter “****” followed by the ckt number and wait for the timeout.

Set timing

To store the output timing enter “****9” followed by 2 digits for seconds and tenth seconds.

Set timeout delay

To store the timeout delay enter “****0” followed by 2 digits for seconds and tenth seconds.

LED indicators

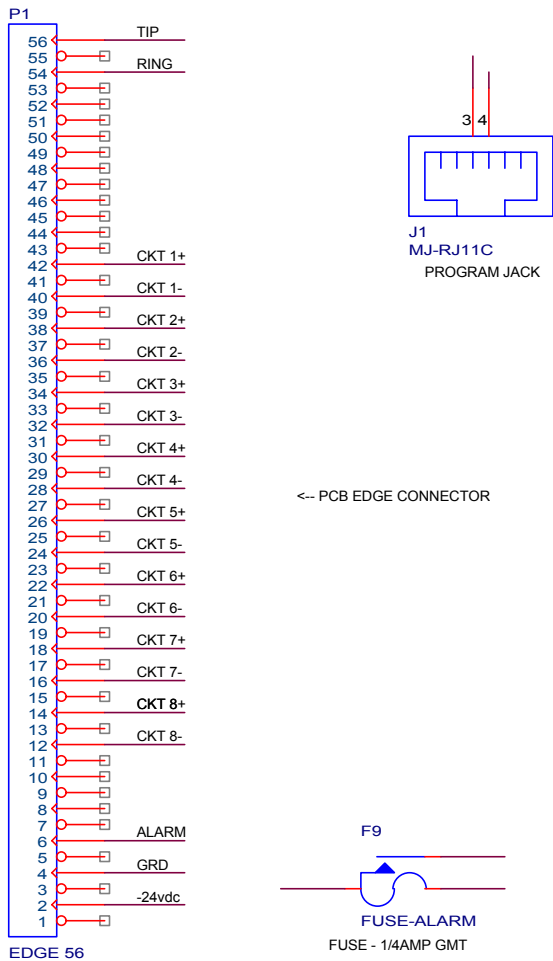
The front panel active indicator blinks when the TTD-100 is idle and turns on solid when touch tones are being received. It flutters to indicate a number being stored in memory. The circuit indicators turn on when the associated circuit is active.

Limitations

- 1 Stored numbers can not contain “***” or “*” as a leading digit.
- 2 Stored numbers can not contain like sequences. (ie - 1234 and 12345) or be identical.

Connections

Refer to the diagram below for the pinout of the edge connector.



Specifications

Power required.....24vdc @ 50ma
Touch tones.....-6vu to -30vu
Bridge loading.....0.1db loss
Output timing.....0.1 to 9.9 seconds
Interdigit timeout.....0.1 to 9.9 seconds
Output capacity.....8 outputs
Digits per number.....1 to 16
Output capacity.....200 ma @ 200 vdc
Output resistance.....13 ohms
Fuse.....1/4amp GMT type



Starcom Incorporated

3303 North Dixie Highway
Boca Raton, FL. 33431

phone: (561) 392-7001 ★ fax: (561) 392-7003 ★ email: info@starcom-inc.com ★ internet: www.starcom-inc.com