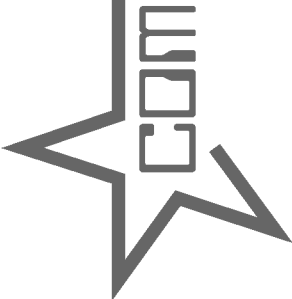


Starcom Incorporated

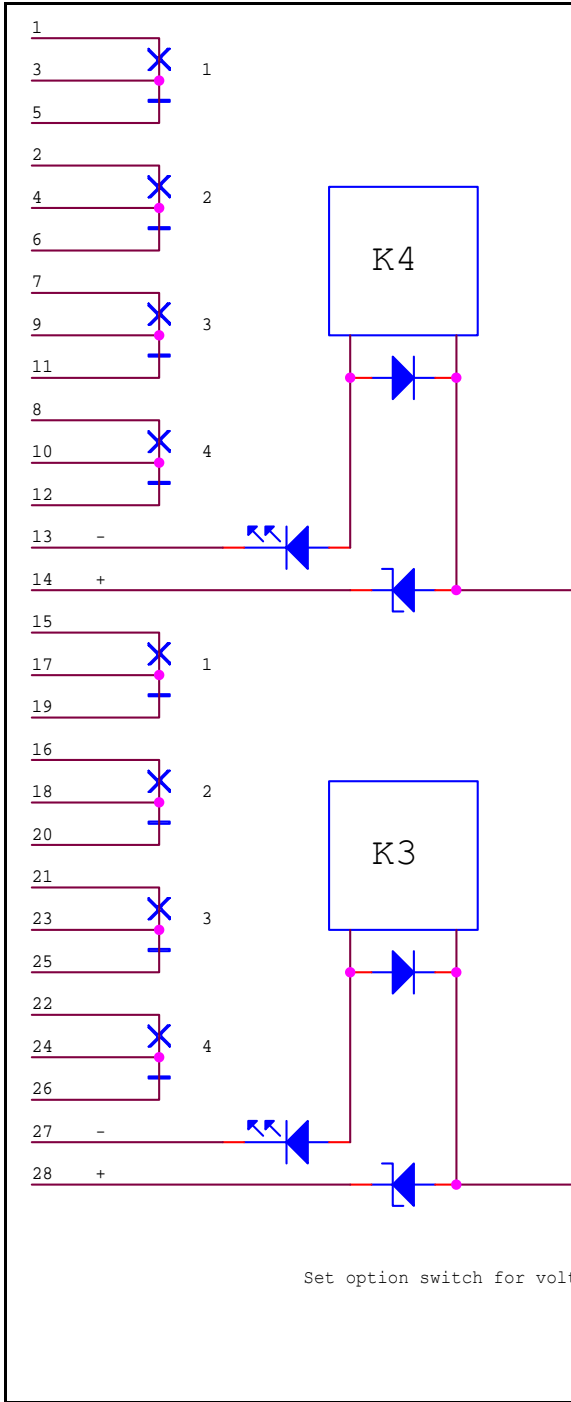
URC1A

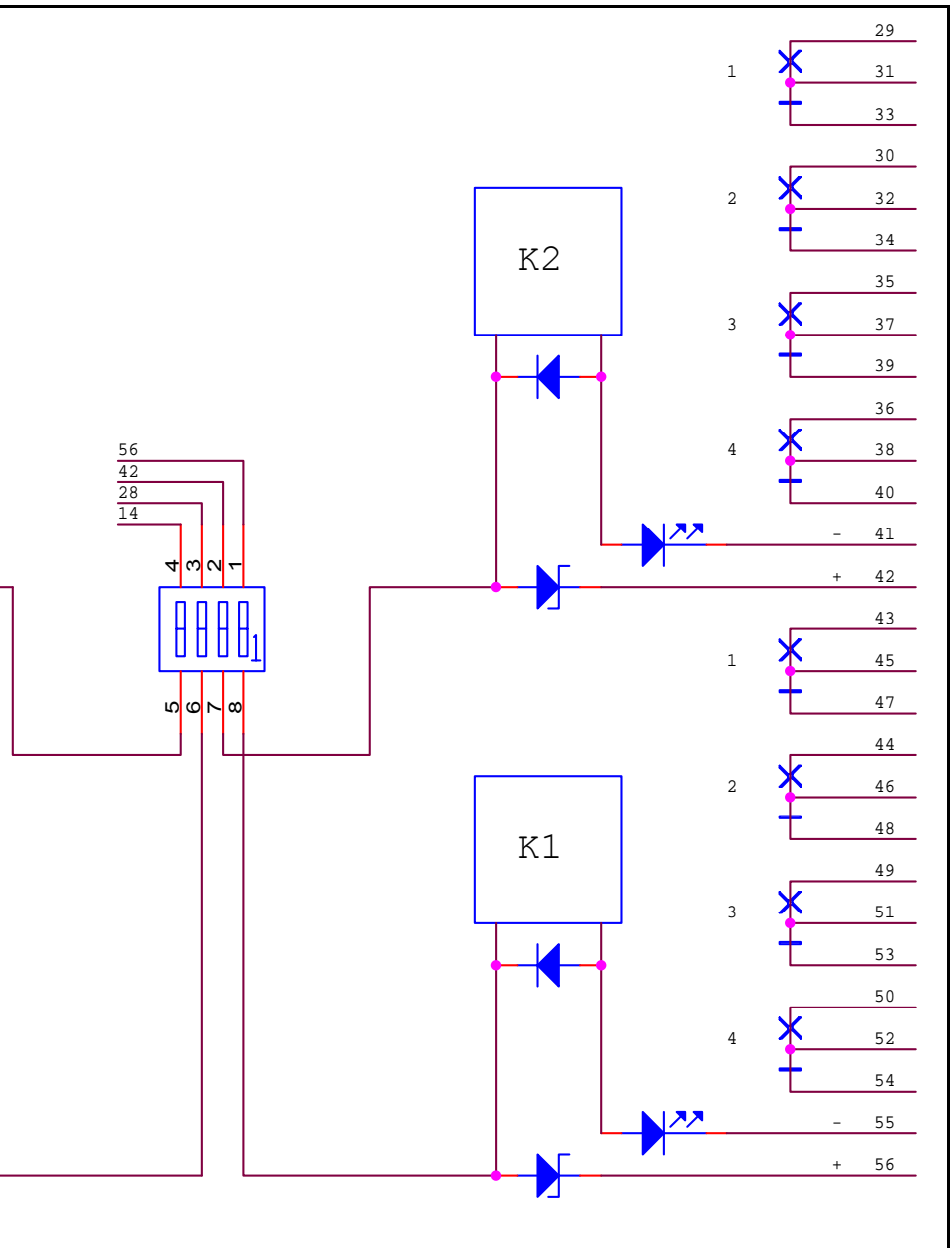
UNIVERSAL RELAY CARD



URC1A

Block diagram of URC1A card and connections. See page 4 for description and specifications.





Stage: ON for 24v
 OFF for 48v

OFF=OPEN=48v

URC1A

Features

- ☞ LED indication of each relay.
- ☞ 24v or 48v operation.
- ☞ Prewired mountings available.

Description

The URC1A Universal Relay Card contains four relays on a type 10 plug in card. The four relays operate independently. All relay circuits have four sets of break before make (form C) contacts. Active circuits are displayed on the front panel with a green LED. An option switch sets each circuit for 24 or 48 volt dc operation. These may be set in any combination, allowing one URC1A to operate from 24 and 48 volt circuits at the same time.

Specifications

POWER	24 or 48 vdc
CURRENT (max. per card)	
@24vdc	75mA
@48vdc	85mA
PHYSICAL	
Weight	5.5oz
Dimensions	6.08L x 1.4W x 5.6H
RELAY COILS	
Coil	1200 ohms
Pick-up voltage	19.2v
Drop-out voltage	2.4v
Operate time	10msec
Release time	5msec
CONTACT RATING	
@30vdc	1amp
@125vac	0.5amp
MOUNTING	Any type 10 mounting shelf



Starcom Incorporated

3303 North Dixie Highway
Boca Raton, FL. 33431

phone: (561) 392-7001 ★ fax: (561) 392-7003 ★ email: info@starcom-inc.com ★ internet: www.starcom-inc.com